

**ENG**

Translated from original  
operating instructions manual



## PELLENC POWER TOOL BATTERY POWER PACK M, M+, L, L+

Operating instructions

56\_159267-C  
September 2024

**READ THE USER OPERATING GUIDE CAREFULLY BEFORE USE**



# TABLE OF CONTENTS

<b>1. INTRODUCTION .....</b>	<b>5</b>
<b>2. GENERAL SAFETY RULES .....</b>	<b>6</b>
2.1. INTENDED USAGE .....	6
2.2. SAFETY MEASURES ASSOCIATED WITH THE USE OF THE TOOL .....	6
2.3. SAFETY MEASURES ASSOCIATED WITH BATTERY USE .....	6
2.4. SAFETY MEASURES WHEN USING THE "PELENC" CHARGER .....	7
2.5. SAFETY SIGNAGE .....	8
<b>3. DESCRIPTION AND TECHNICAL FEATURES .....</b>	<b>10</b>
3.1. DESCRIPTION OF THE BATTERY .....	10
3.2. TECHNICAL CHARACTERISTICS - BATTERY .....	11
3.3. TECHNICAL CHARACTERISTICS - CHARGER .....	11
<b>4. START-UP .....</b>	<b>12</b>
4.1. PACKAGE CONTENTS .....	12
4.2. CHARGING THE BATTERY .....	12
4.3. BATTERY DISPLAY .....	14
4.4. REMOVING THE BATTERY FROM THE HARNESS .....	14
4.5. FITTING THE BATTERY ON THE HARNESS .....	15
4.6. CONNECTING THE TOOL TO THE BATTERY .....	16
4.7. DISCONNECTING THE TOOL FROM THE BATTERY .....	16
4.8. ADJUSTMENT OF THE HARNESS .....	17
<b>5. USING THE TOOL .....</b>	<b>20</b>
5.1. SWITCHING ON THE BATTERY .....	20
5.2. SWITCHING OFF THE BATTERY .....	20
<b>6. MAINTENANCE .....</b>	<b>21</b>
6.1. SERVICING FREQUENCY .....	21
6.2. VERIFICATION .....	22
6.2.1. VISUAL CHECK OF THE GENERAL CONDITION OF THE BATTERY .....	22
6.2.2. VISUAL CHECK OF THE GENERAL CONDITION OF THE CHARGER .....	22
6.2.3. VISUAL CHECK OF THE GENERAL CONDITION OF THE HARNESS .....	22
6.3. CLEANING THE BATTERY .....	23
6.4. CLEANING THE CHARGER .....	23
<b>7. INCIDENTS AND TROUBLESHOOTING .....</b>	<b>24</b>
7.1. TABLE OF INCIDENTS AND BREAKDOWNS - TROUBLESHOOTING .....	24
7.2. SUMMARY OF CHARGE INDICATOR AND BEEP MESSAGES .....	26
7.3. BATTERY REPLACEMENT .....	27

<b>8. STORAGE AND TRANSPORT .....</b>	<b>27</b>
8.1. BATTERY STORAGE CONDITIONS .....	27
8.2. TRANSPORT .....	27
<b>9. ACCESSORIES AND CONSUMABLES .....</b>	<b>28</b>
9.1. ACCESSORIES INCLUDED .....	28
9.2. OPTIONAL ACCESSORIES .....	28
<b>10. WARRANTIES .....</b>	<b>28</b>
10.1. GENERAL WARRANTIES .....	28
10.1.1. STATUTORY WARRANTY .....	28
10.1.2. PELENC COMMERCIAL WARRANTY .....	29
10.1.3. PAID AFTER-SALES SERVICE .....	30
<b>11. STATEMENTS OF COMPLIANCE .....</b>	<b>31</b>
11.1. "EU" DECLARATION OF CONFORMITY: POWER PACK M, M+, L & L+ .....	31

## 1. INTRODUCTION

Dear Customer,

Thank you for purchasing your PELENC Power Tool battery Power Pack M, M+, L, L+. Properly used and maintained, this equipment will give you years of satisfaction.



### Warning

In accordance with product liability laws, we are not responsible for damage caused by our product if the product includes an accessory that is not from the manufacturer or is not approved by the manufacturer. The use of any other accessory may increase the risk of injury.



### Warning

Your device contains numerous recoverable or recyclable materials. Return it to your dealer or, failing this, to an approved servicing centre to be treated.



Comply with the regulations in force in your country as concerns environmental protection associated with your activity.



### Warning

It is imperative that you read through the ENTIRE user's manual guide before using or servicing the tool. Always comply with the instructions and illustrations in the manual.


Throughout the user's manual guide you will find advisory notes and information entitled: NOTE, IMPORTANT, ATTENTION and WARNING.

Points marked "NOTE" indicate additional information.

Points marked "IMPORTANT" warn the user of a potential risk for the equipment.

Points marked "CAUTION" warn the user of a potentially hazardous situation which if not avoided may result in minor injuries.

Points marked "WARNING" warn the user of a potentially hazardous situation which if not avoided may result in serious injury or death.

The warning  indicates that damage resulting from failure to comply with the procedures and instructions is not covered by the warranty and the owner will be liable for any repair costs.

Safety signs on the tool also indicate the safety precautions to be observed. Locate these signs and read them before using your machine. Any partially illegible or damaged sign should be replaced immediately.

Refer to 2.5. Safety signage, page 8 for the location diagram of the safety stickers affixed to the tool.

No part of this manual may be reproduced without the written permission of the PELENC company. The illustrations provided in this manual are for information purposes only and are in no way contractual. The PELENC company reserves the right to make any modification or improvement to its products as deemed necessary without informing customers already in possession of a similar model. This manual forms an integral part of the tool and must accompany the tool if it changes hands.

## 2. GENERAL SAFETY RULES



### Warning

Never service damaged battery packs. Service of battery packs should only be performed by the manufacturer or authorized service providers.

### 2.1. INTENDED USAGE

- The PELENC Power Tool battery Power Pack M, M+, L, L+ is designed to work with the Olivion or Power 48 shaker rake (SOLO or DUO heads).
- The PELENC Power Tool battery Power Pack M, M+, L, L+ must be operated from the ground or from a suitable platform that is completely stable and safe.
- The PELENC Power Tool battery Power Pack M, M+, L, L+ is intended for outdoor use only.
- Any other use of this tool is not intended.
- The company PELENC accepts no responsibility for any damage caused by improper or unspecified use different from its original intention.
- The user is responsible for any accident resulting from improper use or unauthorized modification of this tool.
- The company PELENC accepts no responsibility for any damage caused by the use of non-original parts or accessories.

### 2.2. SAFETY MEASURES ASSOCIATED WITH THE USE OF THE TOOL

#### Note

Please refer to the instructions of the tool concerned.



### Warning

Read all safety warnings and all instructions. Retain all the safety measures and instructions for later reading.

This device is not intended for use by individuals (including children) with reduced physical, sensory or mental capabilities, nor by anyone lacking in experience or knowledge, except if they are supervised or have received prior instructions from a person responsible for their safety.

### 2.3. SAFETY MEASURES ASSOCIATED WITH BATTERY USE

1. If not using the battery unit, store it away from other metal objects such as paper clips, coins, keys, nails, screws or other such small metal items that might form a connection between the two terminals. Creating a short circuit between the battery terminals can result in burns or even a fire.
2. Keep the battery out of the reach of children and place it on a non-combustible support.
3. Do not interfere with its cooling cycle.
4. Do not use or leave the battery near a heat source (> 60°C).
5. Do not leave the battery in direct, strong sunlight.
6. Do not expose the battery to microwaves or high pressure.
7. Do not immerse the battery in water.
8. The batteries must be charged in a dry, ventilated room at a temperature between 10°C and 25°C maximum, away from any moisture.
9. If the battery is not used for 10 days, the battery will automatically discharge until it reaches its storage charge rate, and then goes to sleep. The battery heats up during this phase.<sup>1</sup>

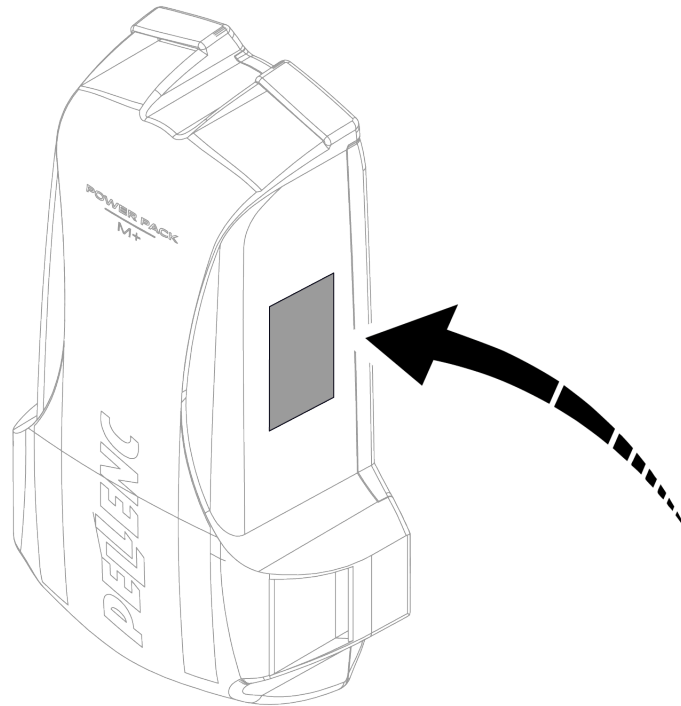
<sup>1</sup>Except for Alpha Lite batteries, which are discharged directly.

10. Over time, the capacity of your battery decreases. When it reaches half of its original battery-life operating autonomy, it should be replaced.
11. The battery may lose 1 to 4 % of its capacity when exposed to a temperature higher than or equal to 55 °C for one week.
12. The charging location must be equipped with a class D fire extinguisher (for metal fire) in good working order.
13. The standards in effect must be complied with when either shipping a complete tool or a battery.
  - Complete tool with battery: product classified UN3481 class 9.
  - Battery alone: product that is classified as class 9, UN3480.
14. Use of a battery other than that provided by Pellenc SA is dangerous (risk of serious injury). If a different battery is used, Pellenc SA cannot be held responsible for any consequences.
15. The battery must be protected from any impact and must be positioned and secured appropriately during transportation.
16. In the case of suspicious smoke, place the battery outside the charging area or transportation vehicle as far away as possible from any inflammable material.
17. Never store a battery when its capacity is below 50 %. Recharge the battery before storage if the value is below 50%.
18. Under inappropriate conditions, liquid may leak from the batteries; avoid contact. In the event of accidental contact, rinse with water. In the event of contact with eyes, seek professional medical help. The liquid leaking from the batteries can cause irritations or burns.
19. Pellenc power tools must only be used with the battery units designed for the purpose. Use of other battery units can present a risk of injury and fire.
20. Recharge only with the charger specified by the manufacturer. A charger suitable for one type of battery pack may present a risk of fire if used with another type of battery pack.
21. Do not use the battery for any purpose other than that initially envisaged (exclusively for use with Pellenc tools).
22. At the end of its life, the battery must be returned to the authorized distributor from whom it was purchased to be recycled in accordance with waste regulations.
23. Fragile case, contains an electronic board and lithium.

#### **2.4. SAFETY MEASURES WHEN USING THE "PELENC" CHARGER**

1. When in operation, the charger's temperature can reach 60°C. No flammable material must be within 1.5 metres of the charger and battery.
2. Place the charger out of children's reach and onto a non-combustible support.
3. Do not interfere with its cooling cycle.
4. The charger is intended only for recharging the battery. Do not charge non-rechargeable batteries.
5. The charging location must be equipped with a class D fire extinguisher (for metal fire) in good working order.
6. If the outlet cord is cut or damaged, the complete charger must be returned to the authorized distributor from which the tool was purchased in order to avoid any danger.
7. Only recharge using the "PELENC" charger indicated by the manufacturer. A charger suitable for one type of battery pack may present a risk of fire if used with another type of battery pack.
8. This charger is designed to charge Pellenc tool lithium batteries.
9. Do not use it for any other purposes.
10. Children must be supervised to ensure they do not play with the charger.
11. Check that the cable cannot be bent and that it does not touch hot surfaces or sharp edges.
12. Ensure good ventilation during the charging.
13. Never cover the charger. This charger must not be used outdoors.
14. Make sure the power connector is not exposed to water.
15. Never attempt to charge a damaged battery.
16. The grid connection must comply with national electrical regulations.
17. Check the wiring of the charger before use. Never use the charger if the cable is damaged
18. When the battery is charging, place the charger on a non-flammable support, more than 1.5 m away from any flammable object.

**2.5. SAFETY SIGNAGE**



56\_23\_005

**Power Pack M**

<b>BATTERY Li-Ion</b> REFERENCE 163436 Power Pack M	43.2V x 10.35Ah = 447Wh IEC/EN 61960 43.2V = 9.9Ah 12INR19/66-3						
A utiliser uniquement avec le chargeur batterie PELENC modèle Usar sólo con el cargador de batería PELENC del modelo For use only with PELENC's battery charger model Nur zur Verwendung mit dem Ladegerät Modell PELENC Só usar com o carregador de batería PELENC Per l'utilizzo solo con il caricabatteria modello PELENC							CB5022HV  <b>Li-ion</b>

56\_21\_PICTO\_007

**Power Pack M+**

<b>BATTERY Li-Ion</b> REFERENCE 176000 Power Pack M+	43.2Vx13.8Ah = 596.2 Wh IEC/EN 61960 43.2V = 13.2Ah 12INR19/66-4						
A utiliser uniquement avec le chargeur batterie PELENC modèle Usar sólo con el cargador de batería PELENC del modelo For use only with PELENC's battery charger model Nur zur Verwendung mit dem Ladegerät Modell PELENC Só usar com o carregador de batería PELENC Per l'utilizzo solo con il caricabatteria modello PELENC							- CB5022HV  <b>Li-ion</b>

56\_23\_PICTO\_001

**Power Pack L**

<b>BATTERY Li-Ion</b> REFERENCE 165230 Power Pack L	43.2Vx17.25Ah = 745Wh IEC/EN 61960 43.2V = 16.5Ah 12INR19/66-5						
A utiliser uniquement avec le chargeur batterie PELENC modèle Usar sólo con el cargador de batería PELENC del modelo For use only with PELENC's battery charger model Nur zur Verwendung mit dem Ladegerät Modell PELENC Só usar com o carregador de batería PELENC Per l'utilizzo solo con il caricabatteria modello PELENC							- CB5022HV  <b>Li-ion</b>

56\_23\_PICTO\_002

**Power Pack L+**

<b>BATTERY Li-Ion</b> REFERENCE 182998 Power Pack L+	43.2Vx19.08 = 824.26Wh IEC/EN 61960 43.2V = 17.88Ah 12INR19/66-6						
A utiliser uniquement avec le chargeur batterie PELENC modèle Usar sólo con el cargador de batería PELENC del modelo For use only with PELENC's battery charger model Nur zur Verwendung mit dem Ladegerät Modell PELENC Só usar com o carregador de batería PELENC Per l'utilizzo solo con il caricabatteria modello PELENC							- CB5022HV  <b>Li-ion</b>

56\_24\_PICTO\_001



Do not expose to any source of water (rain, flooded fields, water jet, etc.)



**Please read the operating instructions.**  
Read the instructions carefully and follow the safety precautions.



Tool compliant with Moroccan standards.



Tool compliant with EC standards.





This equipment must be used at a temperature of -5° to +35°C.



Independent Communications Authority of South Africa  
The product complies with the strict radio interference standards set by ICASA at the approved frequency.



**Waste electrical and electronic equipment.**

At the end of its life, the tool and the battery must be returned to the authorised dealer from whom they were purchased to be recycled in accordance with waste regulations.

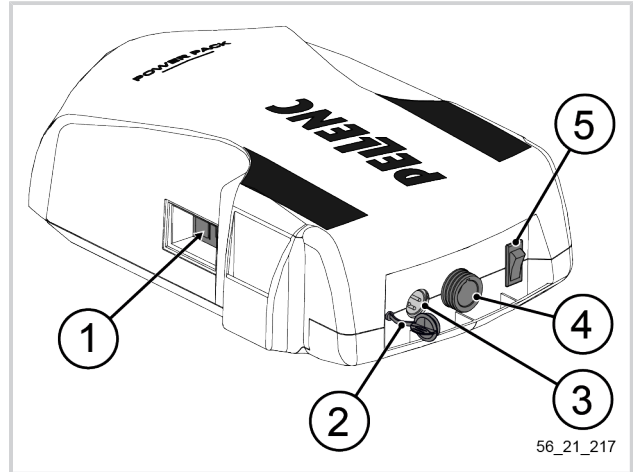


Marking symbol for identifying the chemical characteristic of the battery during recycling.

**3. DESCRIPTION AND TECHNICAL FEATURES**

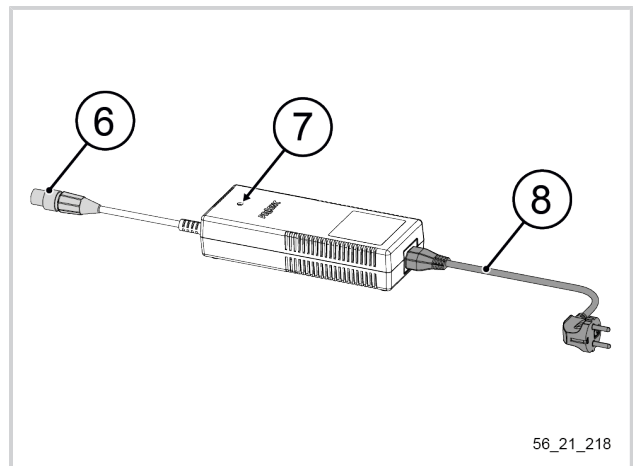
**3.1. DESCRIPTION OF THE BATTERY**

1. Gauge display
2. Charge connector cap
3. Charging connector
4. Tool power connector
5. ON/OFF switch



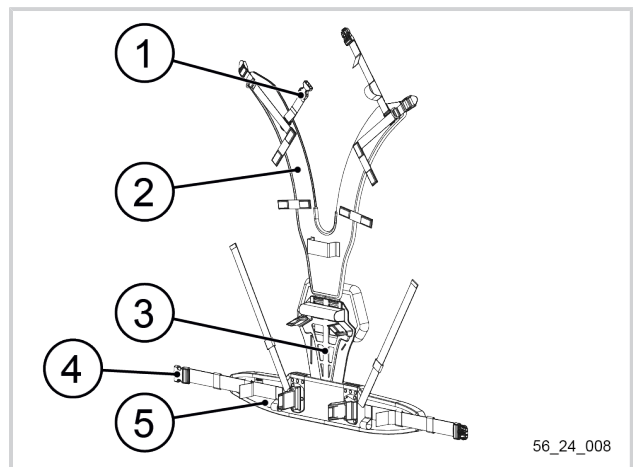
**Charger**

6. Charging connector
7. Indicator light
8. Power cord



**Carrying harness**

1. Chest adjustment loops and straps
2. Straps
3. Plate fitted
4. Belt loop
5. Belt



**3.2. TECHNICAL CHARACTERISTICS - BATTERY**

Equipment	Power Pack M	Power Pack M+	Power Pack L	Power Pack L+
Nominal battery voltage	43.2V	43.2V	43.2V	43.2V
Type of battery	12 x 3 cells per pack	12 times 4 elements included in 1 pack	12 times 5 elements included in 1 pack	12 x 6 cells per pack
Nominal capacity of the battery	10.35Ah	13.8Ah	16.5Ah	19.1Ah
Nominal battery power	447Wh	596.2Wh	745Wh	824.3Wh
Battery life	Depending on the tool			
Battery weight	2.93 kg	3.47 kg	4.52 kg	5.07kg
Operating frequency band	13.56 MHz, Receiver			

**3.3. TECHNICAL CHARACTERISTICS - CHARGER**

Equipment	CB5022HV charger
Commercial reference of the charger	57256
Tension	100-240V ~ 50/60W 130W class II
Charging voltage	50.2 V DC
Charging current	2.2A DC max.

Type of charger	Battery charge percentage	Battery charging time			
		Power Pack M	Power Pack M+	Power Pack L	Power Pack L+
CB5022HV (2.2 A) charger	70%	3h20	4h20	5h30	6 h
	100%	5h30	7h	8h30	9h20

## 4. START-UP

### 4.1. PACKAGE CONTENTS

Check that the package is delivered with:

- 1 M, M+, L or L+ battery
- 1 CB5022HV (2.2A) charger
- 1 carrying harness
- 1 battery operating instructions manual
- 1 warranty notice

### 4.2. CHARGING THE BATTERY

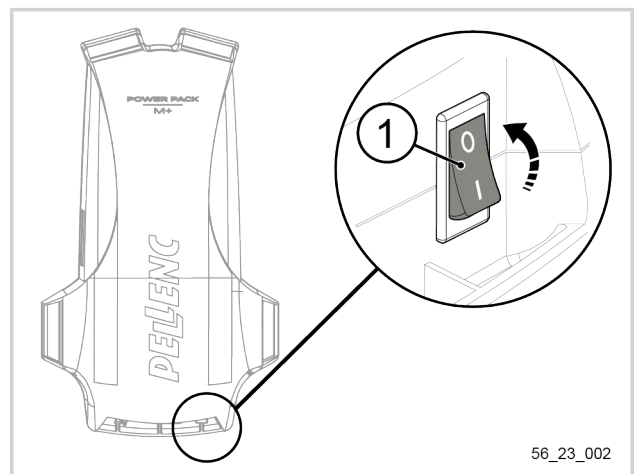
#### Note

When the battery is discharged, the tool stops automatically; the gauge display shows 00 and the buzzer beeps intermittently.

See 7.2. Summary of charge indicator and beep messages, page 26.

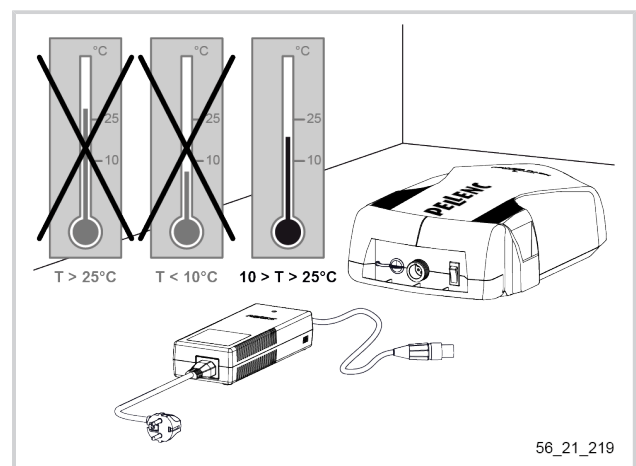
Before using the battery for the first time in the season, perform a full charge (99% fixed).

1. Check that the battery switch (1) is in the "0" off position.



56\_23\_002

2. Install the charger and battery in a ventilated, dry place, away from dust.  
Temperature between 10°C and 25°C.
3. Place the battery in a stable position.



56\_21\_219

**Caution**



Before connecting the charger to the mains, check that your power system characteristics comply with the specifications given on the charger.  
See 3.3. Technical characteristics - Charger, page 11.

4. Connect the charger plug (2) to the mains.  
The charger LED (3) lights up red.
5. Remove the charge connector cap (4).
6. Connect the charging cord (5) to the battery charging connector

The battery beeps twice when it recognises the charger.

The CB5022HV charger indicator light will turn flashing green after a few seconds.

When the gauge display flashes, the battery is charging.

Charging is complete when the message 99 appears steady on the gauge display.

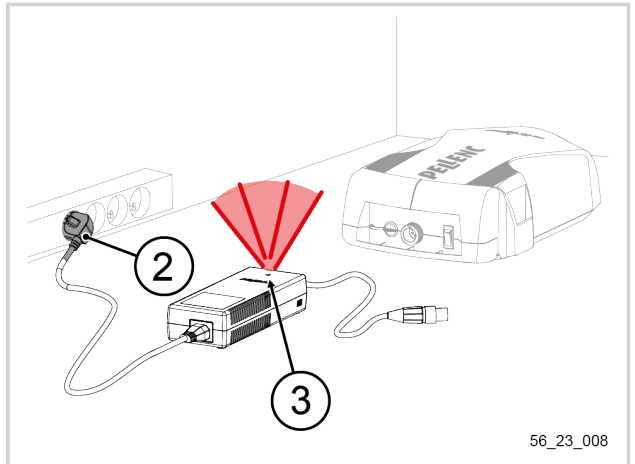
The charger indicator LED (3) will flash green to indicate that the battery is being charged.

It flashes while charging, and shows steady when the charging is completed.

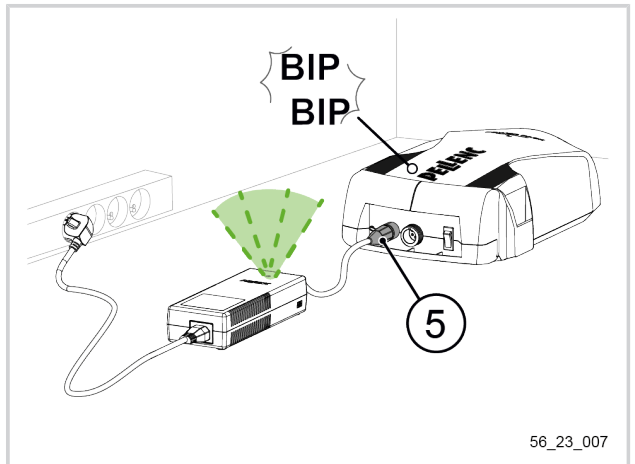
7. Once the battery is charged, disconnect the charging cord (5) from the battery.
8. Then disconnect the mains plug from the charger (2).

**Note**

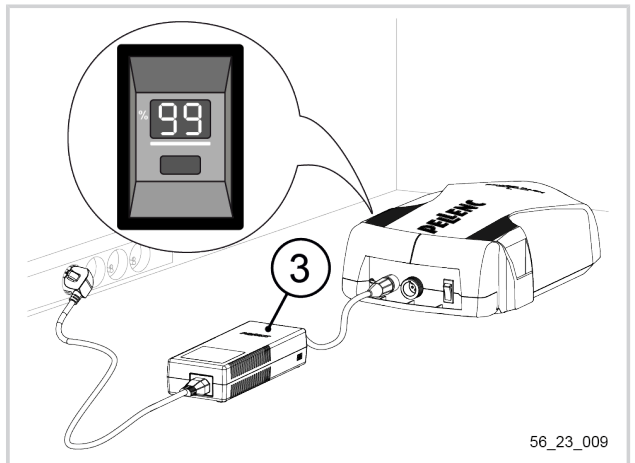
After a long period of storage (new battery, wintering, etc.) when the charger is disconnected, the gauge display may show a value of less than 99%. This is a normal phenomenon which can reoccur for up to 5 charge cycles with normal use between each charge.



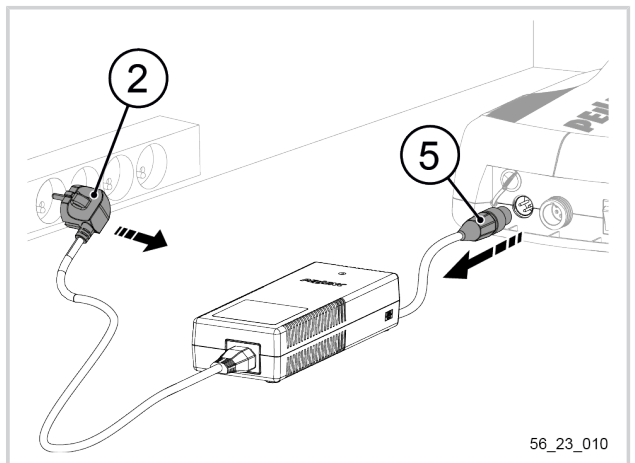
56\_23\_008



56\_23\_007

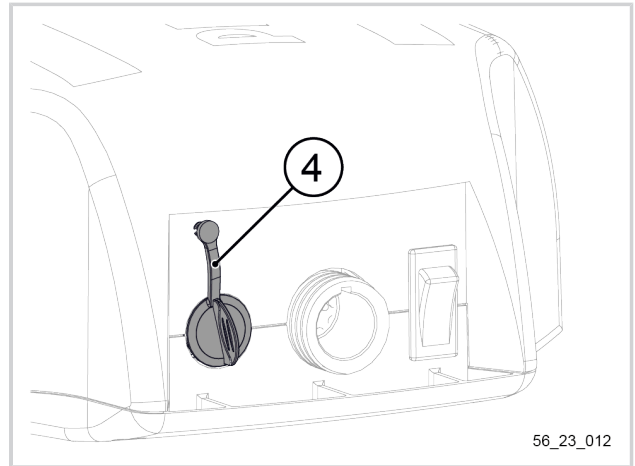


56\_23\_009



56\_23\_010

9. Fit the charging connector plug (4).

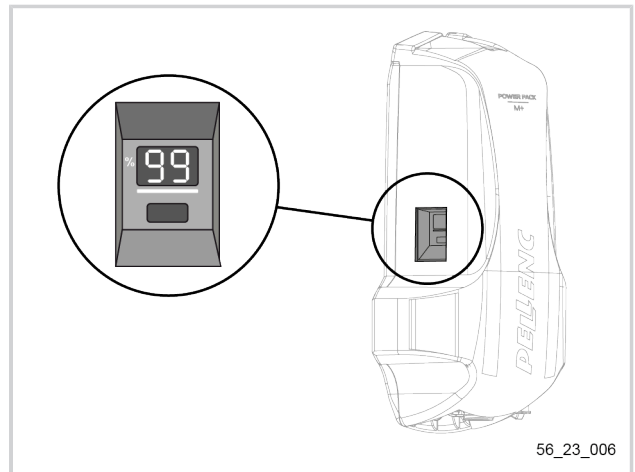


56\_23\_012

### 4.3. BATTERY DISPLAY

The battery has a gauge display showing the remaining capacity it holds. The capacity is expressed as a percentage.

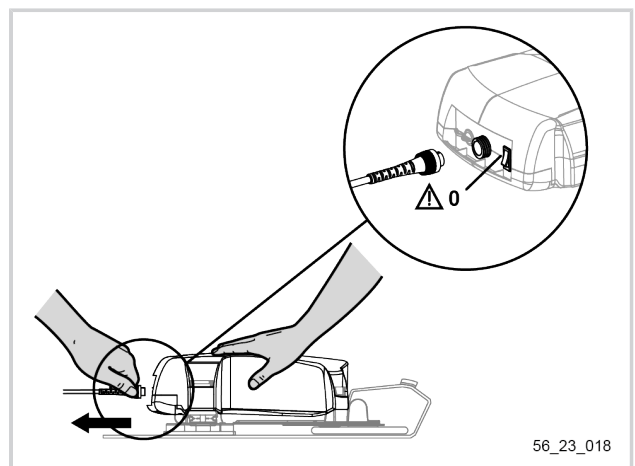
- If the gauge display shows 99, the battery is fully charged.
- If the gauge display indicates a value greater than 55 after one day's work, it is not necessary to recharge the battery for a second day's work.
- If the gauge display shows 00 or a value close to it, you must recharge immediately. See 4.2. Charging the battery, page 12.



56\_23\_006

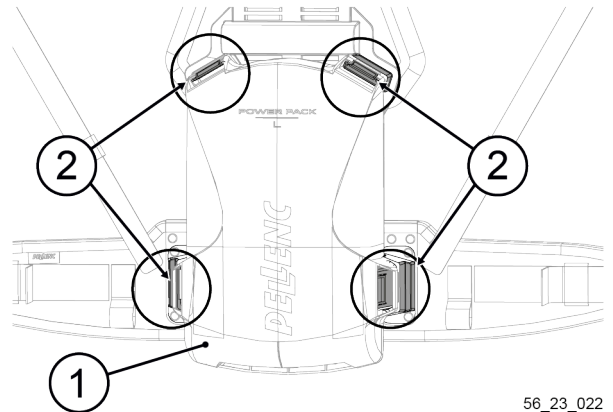
### 4.4. REMOVING THE BATTERY FROM THE HARNESS

1. Make sure the battery switch is in the "0" off position.
2. Disconnect the tool from the battery. See 4.7. Disconnecting the tool from the battery, page 16.



56\_23\_018

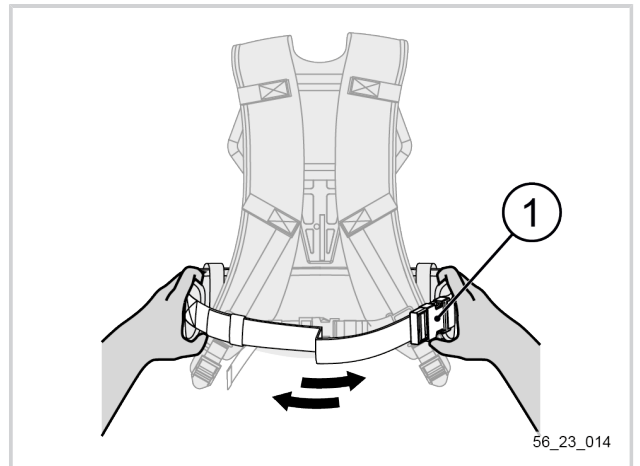
3. Turn the harness so that the battery (1) is in front of you.
4. Unclip the top of the battery (1) by pressing simultaneously on the two upper hooks of the battery holder (2).
5. Unclip the top of the battery (1) by pressing simultaneously on the two upper hooks of the battery holder (2).
6. Remove the battery (1).



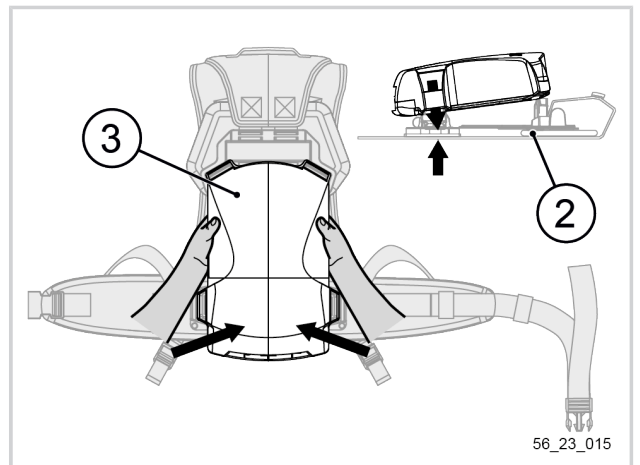
56\_23\_022

#### 4.5. FITTING THE BATTERY ON THE HARNESS

1. Open the harness waist belt (1).
2. Turn the harness so that the battery holder (2) is in front of you.
3. Clip the bottom of the battery (3) onto the lower hooks on the battery holder (2).
4. Clip the top of the battery (3) onto the top hooks of the battery holder (2).
5. Make sure the battery switch is in the "0" off position.
6. Connect the tool to the battery.  
See 4.6. Connecting the tool to the battery, page 16.

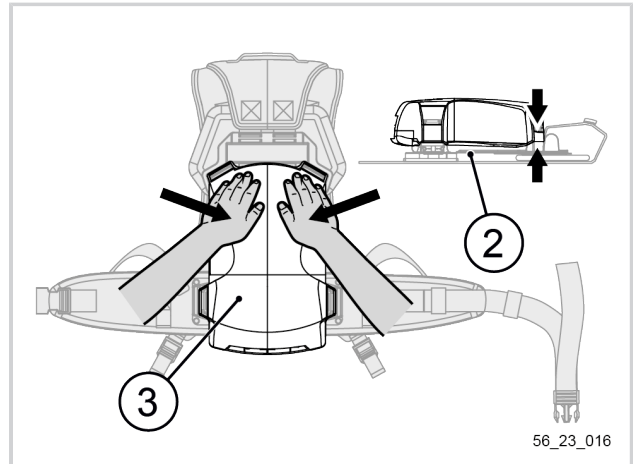


56\_23\_014

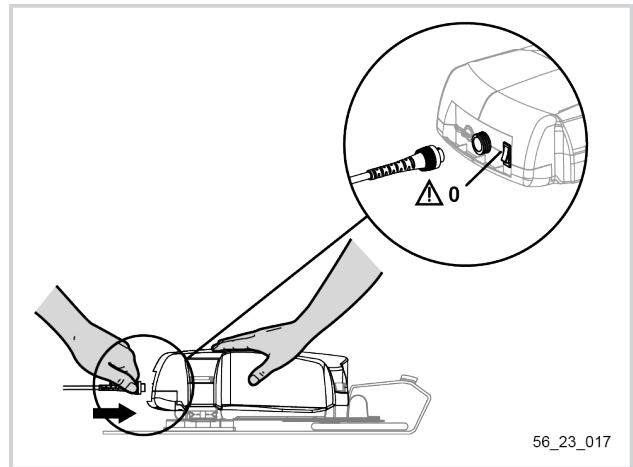


56\_23\_015

7. Clip the top of the battery (3) onto the top hooks of the battery holder (2).



8. Make sure the battery switch is in the "0" off position.
9. Connect the tool to the battery.  
See 4.6. Connecting the tool to the battery, page 16.



### Important

Ⓢ Never force the connectors.

Only use tools whose connector is the same colour as the tool power connector on your battery.

In any other event, please seek confirmation with your approved dealer of compatibility of the battery with the tools.

### 4.6. CONNECTING THE TOOL TO THE BATTERY

Refer to the tool's operating instructions.

### 4.7. DISCONNECTING THE TOOL FROM THE BATTERY

Refer to the tool instruction manual.



**4.8. ADJUSTMENT OF THE HARNESS**



**Caution**

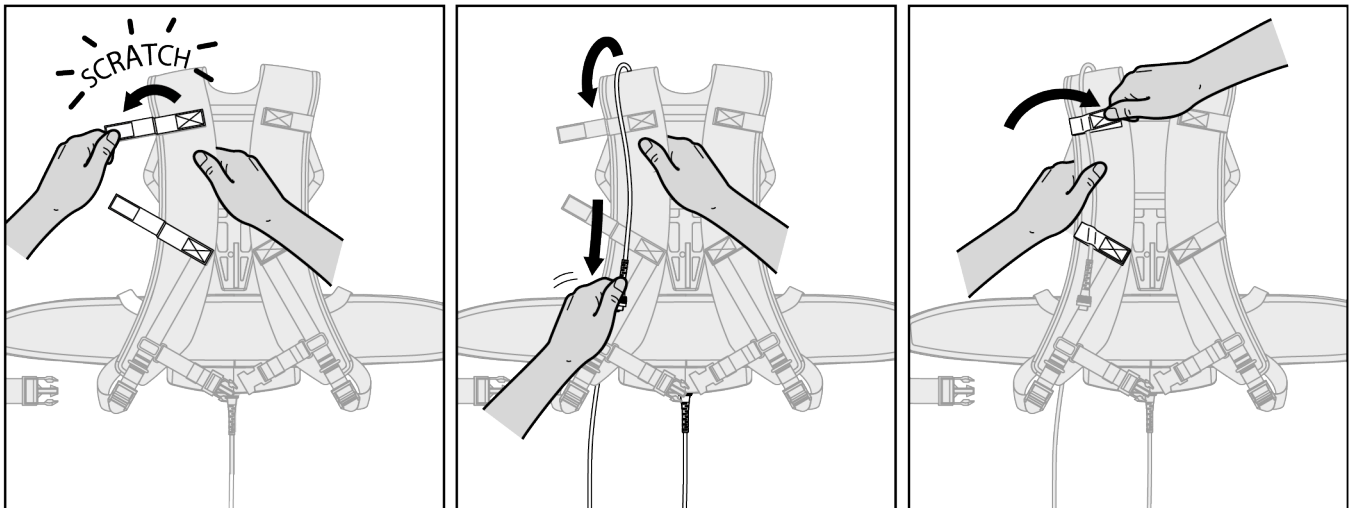
The adjustment of the harness ensures the working comfort of the user of the Power Pack M, M+, L, L+. It must be adjusted before each use of the tool.

To protect your back, take the time to adjust your harness properly.

The harness adjustment steps below allow the user to find their own comfort point. This is why the harness adjustment is personal and specific to each user of the tool.

Once the tool is connected to the battery, the tool's power cord should be fitted to the carrying harness.

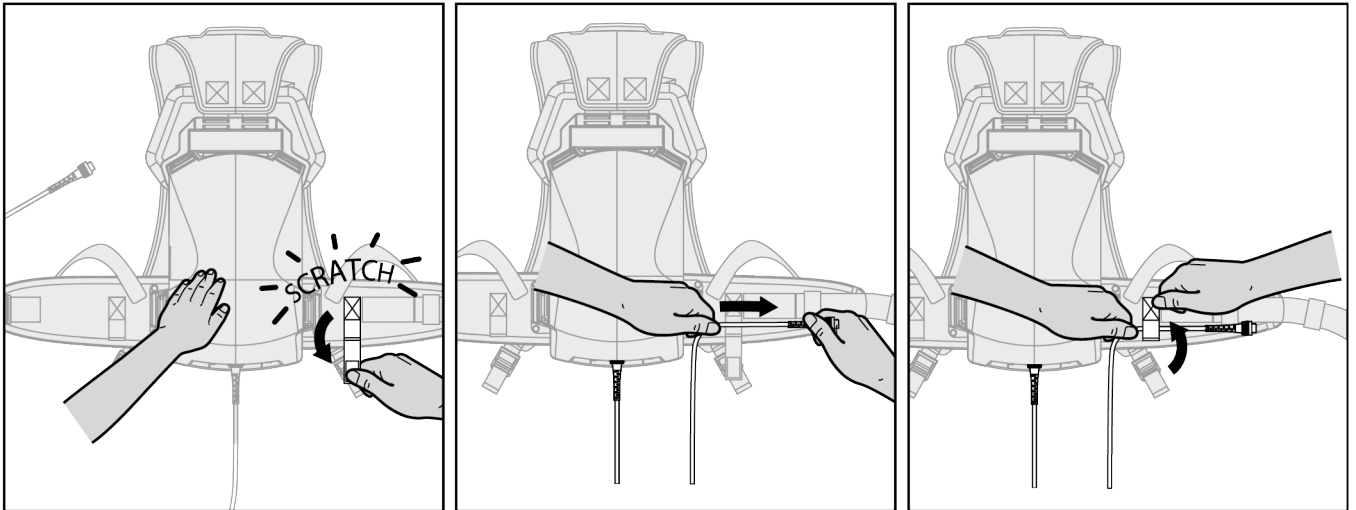
There are two possible solutions, and the operator is free to choose one or the other according to his working preferences.



56\_23\_019

**Method 1: fitting the tool's power cord to the top of the carrying harness**

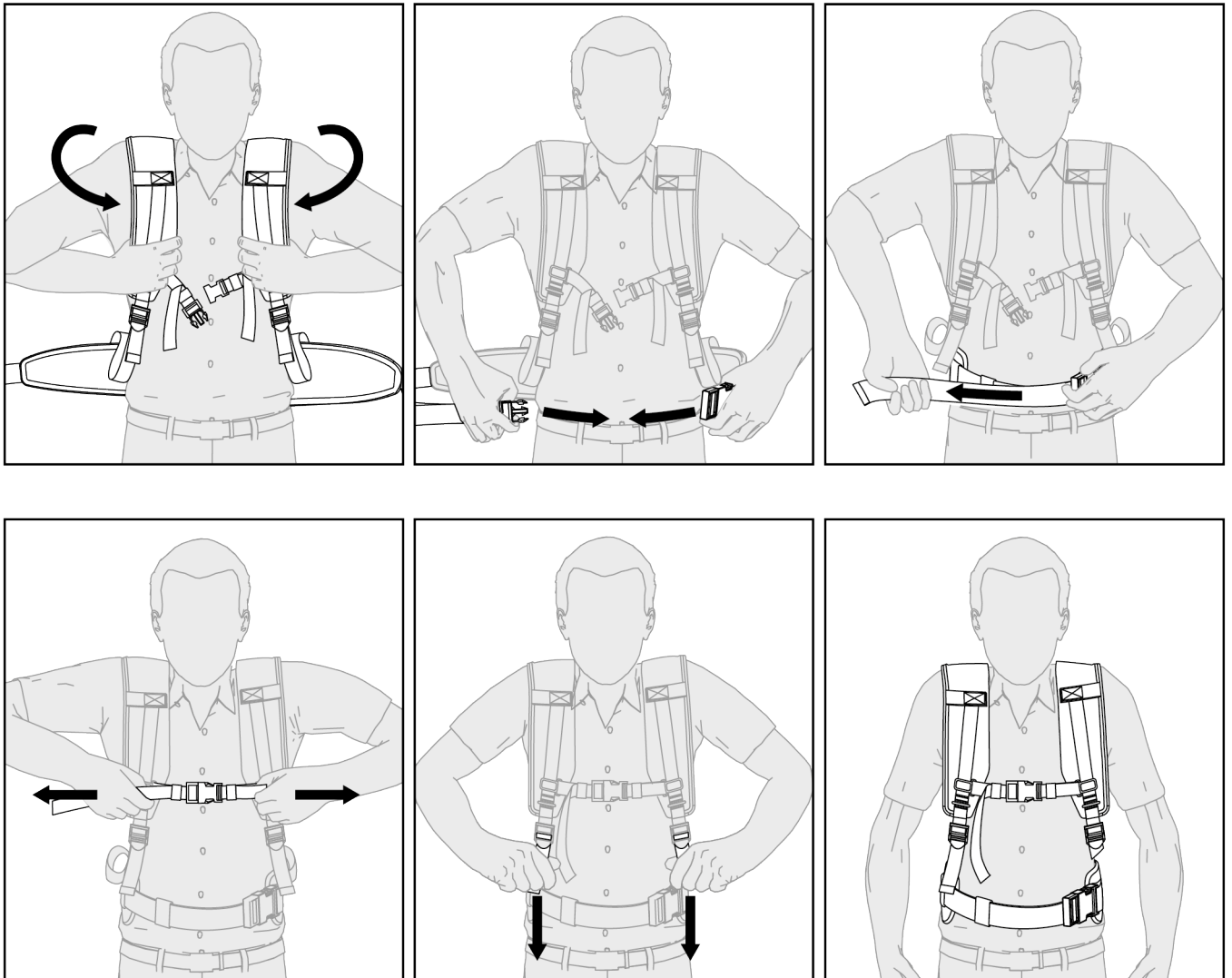
1. Open the two Velcro fasteners on the side of the harness.
2. Fit the power cord.
3. Close the two Velcro fasteners.



56\_23\_020

### Method 2: fitting the power cord on the bottom of the carrying harness

1. Open the Velcro fastening on the chest strap of the harness.
2. Fit the power cord.
3. Close the Velcro fastening on the chest strap of the harness.



56\_23\_021

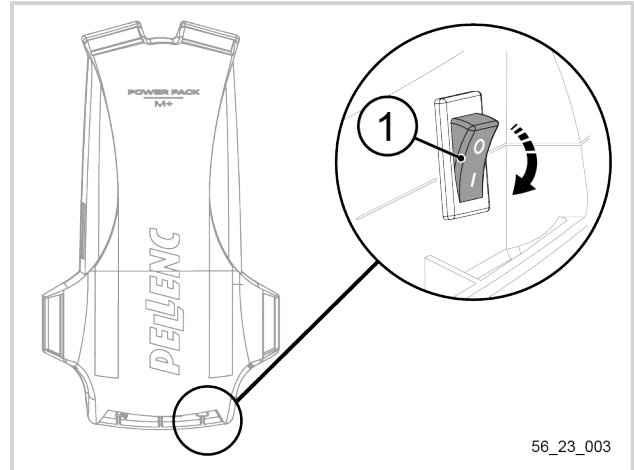
### Adjustment of the harness

1. Slip the harness over your back.  
The adjustment straps must be relaxed so as not to interfere with the user's adjustment.
2. Close the waist strap of the harness at hip level.
3. Pull on the chest strap to adjust the position of the belt.  
The belt should be positioned above the buttocks and the user should feel well supported.
4. Fasten the chest strap.
5. Pull on the chest strap to adjust the position of the harness.  
This strap stabilises the weight of the battery on the user's back.

## 5. USING THE TOOL

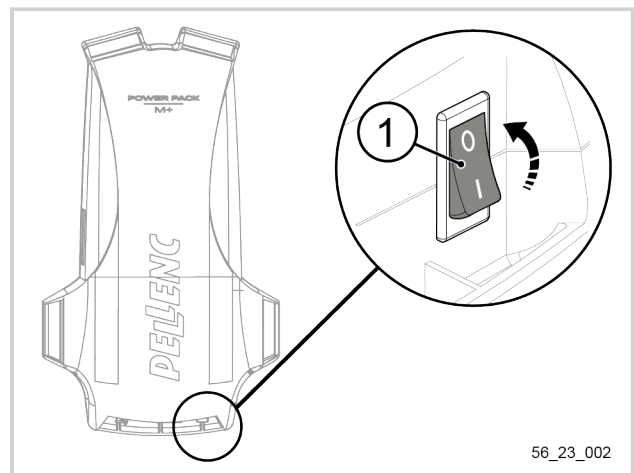
### 5.1. SWITCHING ON THE BATTERY

- Turn switch (1) to "1".



### 5.2. SWITCHING OFF THE BATTERY

- Set switch (1) to "0" off position.



**6. MAINTENANCE**



**Warning**

Ⓒ Never carry out maintenance on damaged battery packs. Service of battery packs should only be performed by the manufacturer or authorized service providers.

The battery must be replaced only by an approved distributor.

**6.1. SERVICING FREQUENCY**



**Caution**

- All maintenance operations must be carried out with the battery switched off and the tool power cord disconnected from the battery, unless otherwise specified in the procedure.
- Use products recommended by PELENC.
- In the event of any problem, consult an authorised PELENC dealer.

**Maintenance schedule**

Operations	Servicing frequency		
	Daily <sup>1</sup>	Weekly	Every year or when necessary
Visually check the general condition of the battery. See 6.2.1. Visual check of the general condition of the battery, page 22	X		
Visually check the general condition of the charger. See 6.2.2. Visual check of the general condition of the charger, page 22.	X		
Visually check the general condition of the harness. See 6.2.3. Visual check of the general condition of the harness, page 22.	X		
Cleaning the battery See 6.3. Cleaning the battery, page 23.	X		
Cleaning the charger See 6.4. Cleaning the charger, page 23.	X		
Battery check by an authorised distributor PELENC.			X

<sup>1</sup> Daily maintenance of the machine is meant for daily use, before and after each working day.

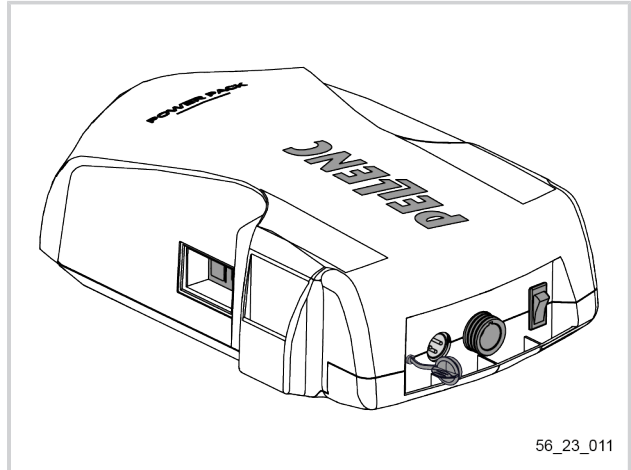
**Important**

Have the battery serviced at least once a year by a PELENC authorised distributor. Always store the charged and clean battery in a dry place.

## 6.2. VERIFICATION

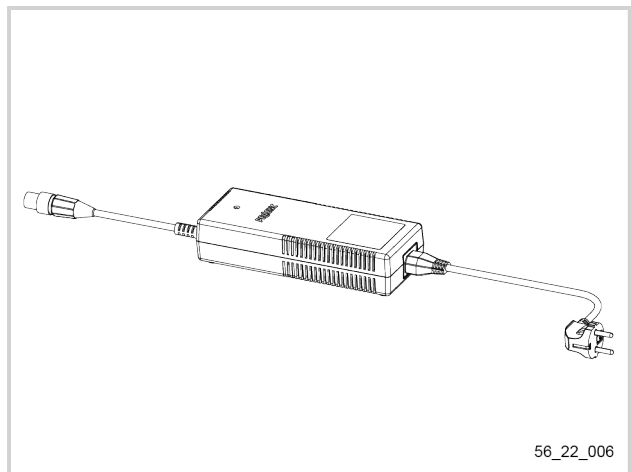
### 6.2.1. VISUAL CHECK OF THE GENERAL CONDITION OF THE BATTERY

- Visually check the general condition of the battery and its connections.



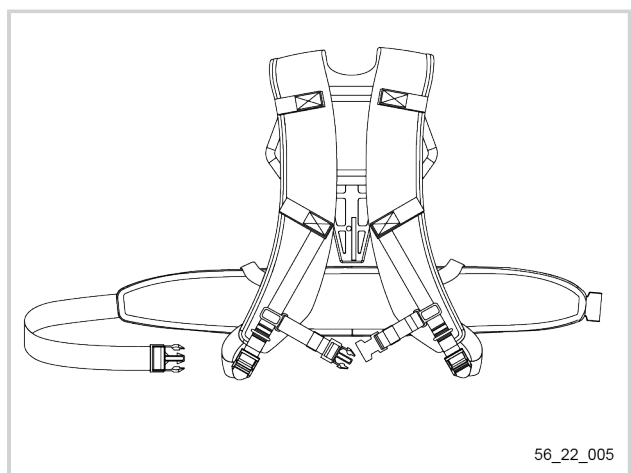
### 6.2.2. VISUAL CHECK OF THE GENERAL CONDITION OF THE CHARGER

- Visually check the general condition of the charger and its connections.



### 6.2.3. VISUAL CHECK OF THE GENERAL CONDITION OF THE HARNESS

- Visually check the general condition of the harness.
- Check that no straps are cut or damaged.



### 6.3. CLEANING THE BATTERY



#### **Caution**

The battery must not be connected to the charger or the tool.

1. Switch off the tool.  
See 5.2. Switching off the battery, page 20.
2. Disconnect the battery.  
See 4.7. Disconnecting the tool from the battery, page 16.
3. Clean the battery casing with a soft damp cloth.

### 6.4. CLEANING THE CHARGER

1. Unplug the charger from the mains.
2. Clean the charger housing with a soft damp cloth.

**7. INCIDENTS AND TROUBLESHOOTING**



**Caution**

Never attempt to open or repair the battery pack or the charger





**7.1. TABLE OF INCIDENTS AND BREAKDOWNS - TROUBLESHOOTING**













Problem	Messages on the battery display and/or sound signals	Probable cause	Checks	Possible action
The battery does not start	☐☐ with 1 beep per minute	Empty battery	Check that the battery is not fully discharged	Charge the battery
	☐☐ and ☐☐ alternately	Battery temperature	Battery temperature too low	Let the battery cool down for about 5 minutes
	☐☐ and ☐☐ alternately	Battery configuration / Electronic board / Battery at end of life / Problem with contacts on the electronic board / Switch / Fuse	At an authorized PELENC distributor	Authorized PELENC distributor
	HS			
	☐☐ (from 0 to 99) No display			
The tool stops during use	Long beep and 4 short beeps	The tool has reached its temperature limit	4 beeps from the battery	Let the tool cool down for roughly 5 minutes
	☐☐ and 55 alternately	Battery temperature	Battery temperature too high	Let the battery cool down for about 5 minutes
	☐☐ and ☐☐ alternately		Battery temperature too low	Use the battery within the correct temperature range, see 2.3. Safety measures associated with battery use , page 6
The battery is not charging	☐☐ and ☐☐ alternately	Battery temperature	Battery temperature too low	Use the battery within the correct temperature range
	☐☐ and 45 alternately		Battery temperature too high	Let the battery cool down for about 5 minutes
	-	Incompatible charger	Check the compatibility of the charger	See 3. Description and technical features, page 10
		Charger fault	Check that the charger is not defective	Authorized PELENC distributor
		Circuit board	At an authorized PELENC distributor	Authorized PELENC distributor










Problem	Messages on the battery display and/or sound signals	Probable cause	Checks	Solutions
The battery does not charge to 100%	-	Long storage time Charger fault Circuit board Battery at end of life	- Check that the charger is not defective At an authorized PELENC distributor	Perform five charge and discharge cycles Authorized PELENC distributor Authorized PELENC distributor
<p><b>Important</b></p> <p>Ⓢ Never attempt to open any part of the battery pack or charger (you risk damaging them and, above all, losing the benefit of the warranty).</p>				

**7.2. SUMMARY OF CHARGE INDICATOR AND BEEP MESSAGES**

Normal messages	
<b>Using the tool</b>	
 fixed	Battery charge level (0 to 99)
 with 1 beep per minute	Battery empty, recharge immediately
<b>Charge</b>	
 flashing every 4 seconds	Battery charge level (0 to 99)
 fixed	Charging complete
<b>Storage</b>	
Switched off	Standby

Degraded mode messages	
<b>Use</b>	
 and  alternately	Stop the tool; the battery temperature is too high
 and  and  alternately	Stop the tool; the battery temperature is too low
 fixed	Electronic board out of order
 fixed	Electronic board not configured
 fixed	Cell voltage too low
Long beep and 1 short beep	Tool stop: tool intensity too high
Long beep and 2 short beeps	Incompatible tool detected
Long beep and 4 short beeps	Stop the tool; the tool temperature is too high
<b>Charge</b>	
 and  alternately	Charge interrupted: Battery temperature too low
 and  alternately	Charge interrupted: Battery temperature too high

Fault messages	
<b>Use</b>	
 and 1 beep every 2 minutes for 24 hours	Voltage too low after 3 hours of non-use. Recharge the battery immediately.
 fixed	Electronic board out of order
 fixed	Short circuit on the tool connector
Long beep and 5 short beeps	Loss of connection, tool not detected
<b>Charge</b>	
 and  alternating and continuous beep	Battery problem
 and  alternately	Charger problem

### 7.3. BATTERY REPLACEMENT

#### Important

The battery must be replaced only by an approved distributor.

## 8. STORAGE AND TRANSPORT

### 8.1. BATTERY STORAGE CONDITIONS

- Store the battery unit and its charging device in a place away from any heat, dust or dampness, and ensure that the switch is on the "0" off position.
- Never store the battery in an ambient temperature of more than +45 °C.
- In order to conserve a long battery life and prevent deterioration, the battery must be charged when stored and recharged every 24 months if it is not used.
- Do not operate the switch while in storage.
- To ensure long battery life, the battery should be stored in a dry and warm place between 0 °C and 25 °C.
- No combustible object must be placed within 1.5 metres of the battery.
- The charger is maintenance-free.
- If the battery is not used for 10 days, the battery will automatically discharge until it reaches its storage charge rate, and then goes to sleep. Warming up occurs during this phase.

### 8.2. TRANSPORT



#### Caution

Never transport a battery with a capacity of more than 30% by means of a postal carrier.

#### Important

Never carry the tool or the battery by the power cord.

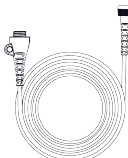
1. Switch off the tool.  
See 5.2. Switching off the battery, page 20.
2. Disconnect the battery.  
See 4.7. Disconnecting the tool from the battery, page 16.
3. Put the tool in the storage position.  
See 8.1. Battery storage conditions , page 27.
4. Ensure that the tool and battery are packed and properly secured in the transport vehicle.

## 9. ACCESSORIES AND CONSUMABLES

### 9.1. ACCESSORIES INCLUDED

For a list of accessories included with the tool, see 4.1. Package contents, page 12.

### 9.2. OPTIONAL ACCESSORIES

Name	Reference	
10.3 m extension cord	100994	

## 10. WARRANTIES

### 10.1. GENERAL WARRANTIES

#### 10.1.1. STATUTORY WARRANTY

##### 10.1.1.1. LATENT DEFECTS WARRANTY

Apart from the commercial warranty provided for under Article II, Article 1641 of the French Civil Code states that "the seller is bound to a warranty on account of latent defects of the object sold which render it unfit for the use for which it was intended, or which would impair said use to the extent that the buyer would not have acquired it, or would only have paid a lesser price for it, had he/she known of them".

Article 1648 of the French Civil Code "The action resulting from latent defects must be brought by the purchaser within two years after the discovery of the defect."

##### 10.1.1.2. LEGAL GUARANTEE OF CONFORMITY

Article L.217-4 of the French Consumer Code "The seller delivers goods in compliance with the contract and is liable for defects of conformity existing upon delivery.

The seller is also liable for any lack of conformity resulting from the packaging, assembly or installation instructions whenever its contractual liability is engaged in this regard or the latter are carried out under its responsibility.

Article L.217-5 of the French Consumer Code "Goods are compliant with the contract":

1. If they are fit for the purpose normally expected of similar goods and, where applicable:
  - If they correspond to the description given by the seller and possess the qualities that were presented to the buyer in the form of a sample or model;
  - If they possess the qualities that a buyer can reasonably expect given the public statements made by the seller, the producer or its representative, especially in advertising or labelling;
2. Or if it has the characteristics defined by mutual agreement between the parties or be suitable for any special use sought by the buyer, brought to the attention of the seller and accepted by the latter.

Article L.217-12 of the French Consumer Code "legal action resulting from lack of conformity lapses two years after delivery of the goods".

## **10.1.2. PELENC COMMERCIAL WARRANTY**

### **10.1.2.1. CONTENTS**

#### **10.1.2.1.1. GENERAL INFORMATION**

In addition to legal warranties, client users benefit from the commercial warranty on PELENC products covering the exchange and replacement of parts recognised as being out of order, due to machining defects, assembly defects or material defects, whatever the cause.

The warranty forms an inseparable whole with the product sold by PELENC.

#### **10.1.2.1.2. SPARE PARTS**

The commercial warranty also covers PELENC original spare parts, excluding labour and to the exclusion of certain parts of each product provided at delivery.

### **10.1.2.2. DURATION OF WARRANTY**

#### **10.1.2.2.1. GENERAL INFORMATION**

PELENC products are guaranteed under the commercial warranty as from delivery to the customer for a period of two (2) years for products connected to a PELENC battery, and for a period of one (1) year for other PELENC products.

#### **10.1.2.2.2. SPARE PARTS**

PELENC replacement parts replaced under the product warranty are guaranteed under the commercial warranty as from delivery of the PELENC product to the customer user for a period of two (2) years for products connected to a PELENC battery, and for a period of one (1) year for other PELENC products.

In the case of products connected to a PELENC battery, parts that are replaced under the product warranty after the 12th month of use, are covered for a period of one (1) year.

#### **10.1.2.2.3. WARRANTY EXCLUSIONS**

Products that have been subject to abnormal use, or that have been used under conditions and for purposes other than those for which they were manufactured, are excluded from the commercial warranty, especially in the case of non-compliance with the conditions stipulated in this user manual.

Nor does it apply in the event of impact, dropping, negligence, lack of supervision or maintenance or if the product has been transformed. Products that have been altered, transformed or modified by the user customer are also excluded from the warranty.

Wear parts and/or consumables are not covered by the warranty.

### **10.1.2.3. IMPLEMENTATION OF THE COMMERCIAL WARRANTY**

#### **10.1.2.3.1. PRODUCT COMMISSIONING AND COMMISSIONING DECLARATION**

No later than eight days after delivery of the goods to the user customer, the DISTRIBUTOR undertakes to complete the computerised commissioning declaration form in order to activate the latter on the website [www.pellenc.com](http://www.pellenc.com),

under the heading "Extranet Access" in the "Pellenc Extranet Service" menu, using the identifier previously issued by PELENC.

Failing that, commissioning declaration will not be effective and implementation of the PELENC commercial warranty will not occur. As a consequence thereof, the DISTRIBUTOR must ensure the financial burden of its intervention under the warranty without being able to pass on the cost to the client user.

The DISTRIBUTOR also undertakes to complete the warranty card or the certificate of warranty and commissioning for self-propelled equipment provided with the product after having the user customer sign and date it.

### **10.1.3. PAID AFTER-SALES SERVICE**

#### **10.1.3.1. GENERAL INFORMATION**

Malfunctions, breakdowns, breakages resulting from misuse, negligence or improper maintenance by the user customer, as well as malfunctions resulting from the normal wear of the product, are subject to the payment of the after-sales service, even during the period of the legal and commercial warranty. After-sales service repairs that fall outside of the legal and commercial warranty also include maintenance, adjustments, diagnostics of all types, and cleaning, without the present list being exhaustive.

#### **10.1.3.2. WEAR PARTS AND CONSUMABLES**

Wear parts and consumables also fall within the after-sales service.

#### **10.1.3.3. SPARE PARTS**

Paid after-sales service also covers PELENC original spare parts, excluding labour and outside the legal and commercial warranty period.

In case of replacement of original PELENC spare parts in the context of after-sales service, said latter are covered by a warranty of one year as from the installation date.

**11. STATEMENTS OF COMPLIANCE**

**11.1. "EU" DECLARATION OF CONFORMITY: POWER PACK M, M+, L & L+**

MANUFACTURER / PERSON AUTHORISED TO COMPILE THE TECHNICAL FILE	PELENC
ADDRESS	Quartier Notre-Dame - 84120 Pertuis (France)

We hereby declare that the product designated below as:

GENERIC DENOMINATION	BATTERY			
FUNCTION	DESIGNED TO POWER PELENC BATTERY POWER TOOLS			
COMMERCIAL NAME	POWER PACK			
TYPE	Lithium-ion BATTERY			
MODEL	M	M+	L	L+
SERIAL NO.	56Y00001 - 56Y49999	56Z00001 - 56Z49999	56A00001 - 56A49999	

Complies with all the relevant provisions of EMC Directive 2014/30/EU.

Complies with the provisions of the following other European directives:

- 2014/53/EU RED Directive; 2011/65/EU ROHS Directive; 1907/2006 REACH Regulation; 2006/66/EC Batteries & Accumulators Directive

The following harmonized European standards have been used in whole or in part:

- EN 62133-2:2017

Signed for and on behalf of:

Simon BARBEAU

CEO



PERTUIS, 22/04/2024











# **PELENC**

   [www.pellenc.com](http://www.pellenc.com)

PELENC  
Quartier Notre Dame - 84120 Pertuis (France)

